

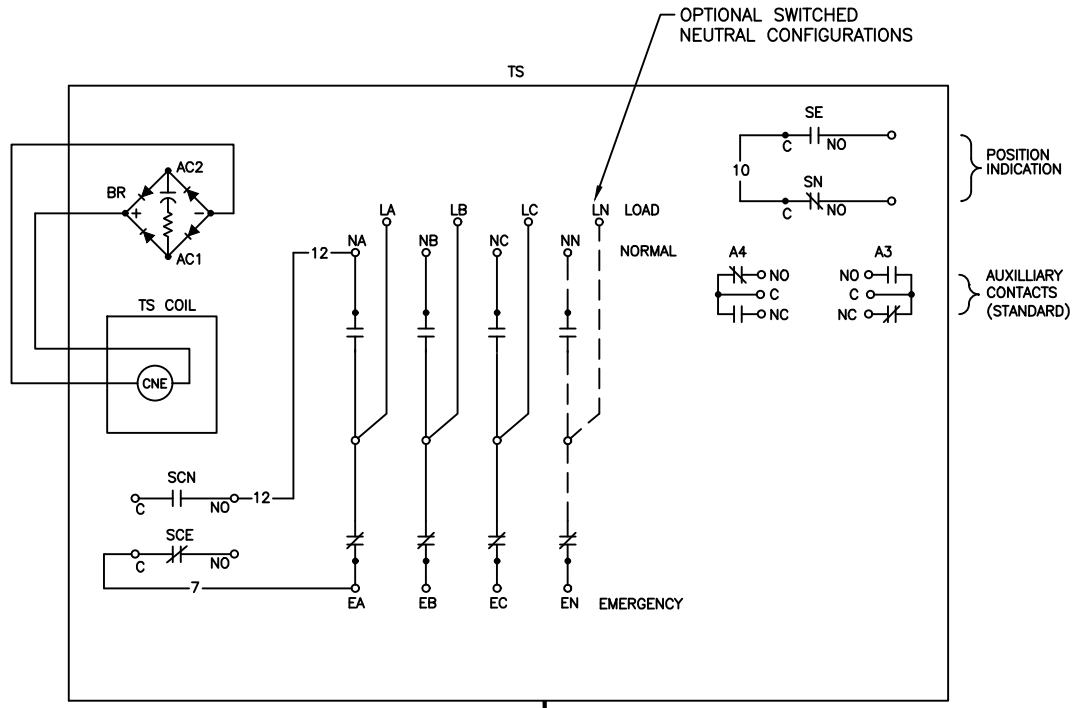
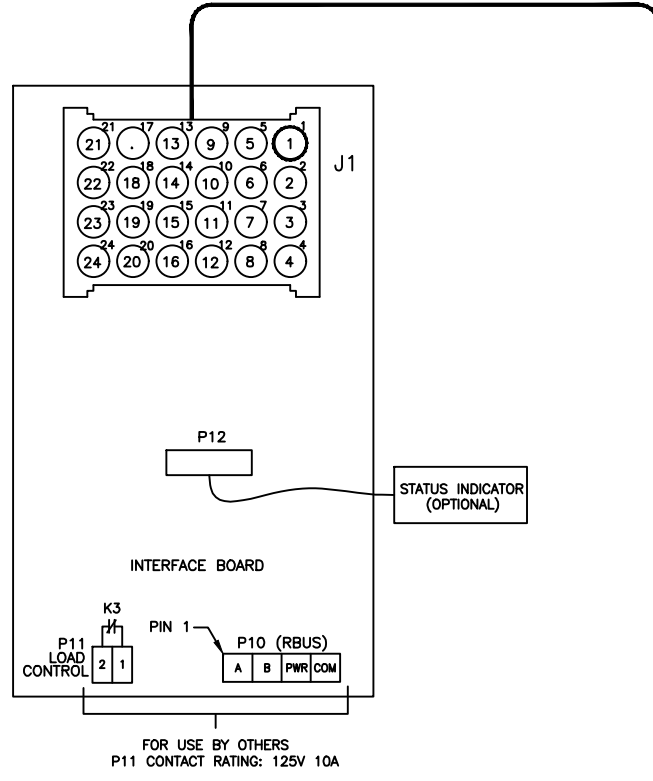
REV	DATE	REVISION	BY	APP
-	12-04-20	NEW DRAWING [CT208600]	DJY	

LEFT SIDE WALL

ENCLOSURE

J1 CONNECTIONS

1	1	(SCE-NO)
2	2	(BR-AC1)
3	3	(SCN-NO)
4	4	(TS-NC)
5	5	(BR-AC2)
6	6	(TS-EC)
7	7	(TS-EA)
8	8	(TB2-3)
9	9	(TB2-4)
10	10	(SE-C)
11	11	(TS-NB)
12	12	(TS-NA)
13	13	(SE-NO)
14	14	(SN-NO)
15	15	(TS-NC)
16	16	(TS-EC)
17	N/C	.
18	18	(TS-EB)
19	19	(TS-LA)
20	20	(TS-LB)
21	21	(TS-LC)
22	22	(TS-NN)
23	23	(TS-EN)
24	24	(TS-LN)



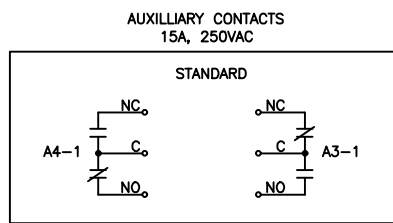
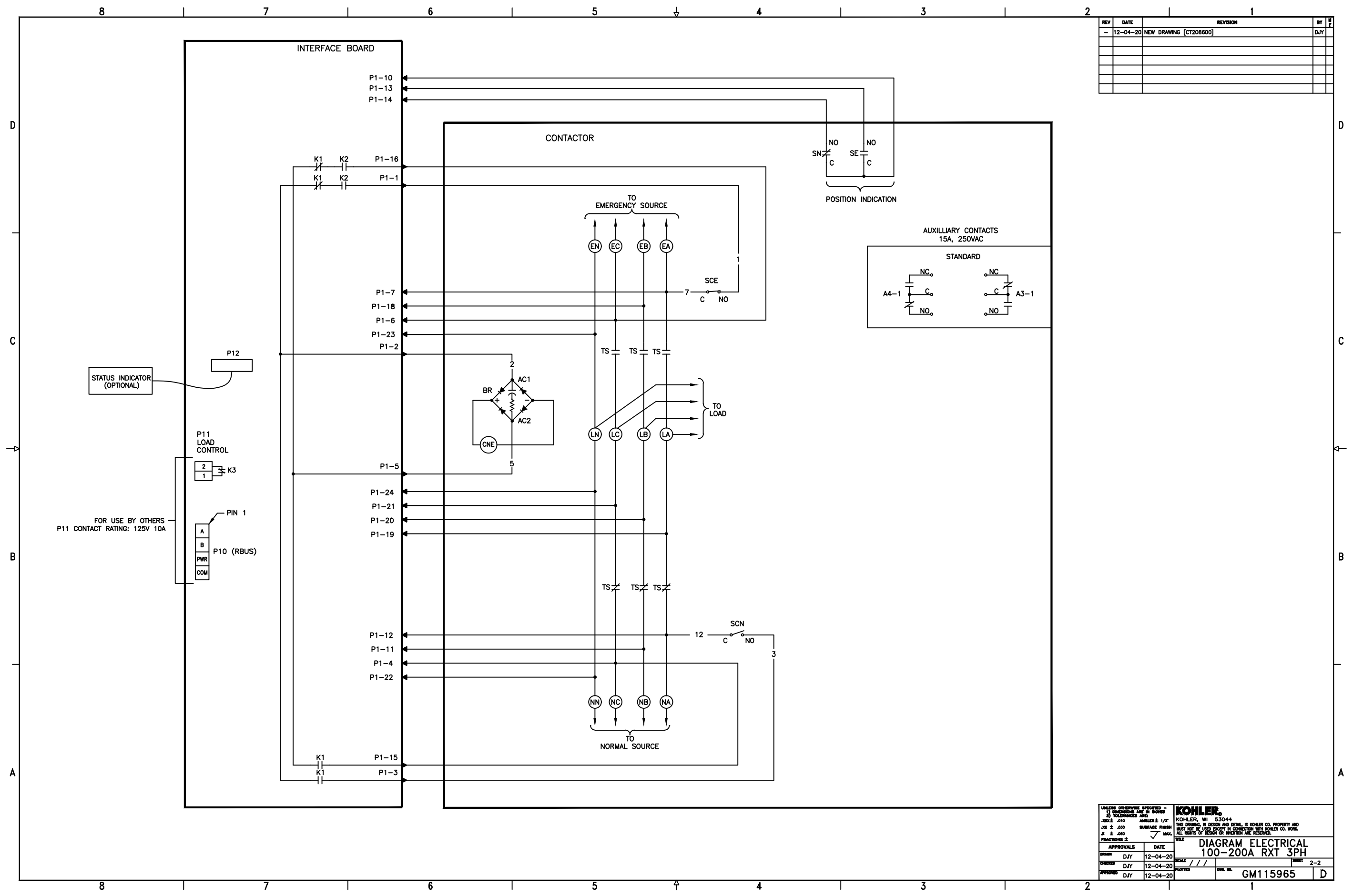
LEGEND

- BR BRIDGE RECTIFIER
- C COIL
- CE TRANSFER COIL (EMERGENCY TRANSFER)
- CN TRANSFER COIL (NORMAL TRANSFER)
- K4 NORMAL RELAY CONTACTS
- K5 EMERGENCY RELAY CONTACTS
- LSE LIMITS SWITCH EMERGENCY CONTACTS
- LSN LIMIT SWITCH NORMAL CONTACTS
- P1 CONNECTOR

APPROVALS	DATE	SCALE	SHEET
DESIGNED DJY	12-04-20	///	1-2
CHECKED DJY	12-04-20		
APPROVED DJY	12-04-20		

UNLESS OTHERWISE SPECIFIED - DIMENSIONS ARE IN INCHES TOLERANCES ARE: FRACTIONS ± DECIMALS ± SURFACE FINISH MAX. KOHLER, WI 53044 THIS DRAWING, IN WHOLE OR IN PART, IS KOHLER CO. PROPERTY AND MUST NOT BE USED EXCEPT IN CONNECTION WITH KOHLER CO. WORK. ALL RIGHTS OF DESIGN OR INVENTION ARE RESERVED.	TITLE DIAGRAM ELECTRICAL 100-200A RXT 3PH
PROJECT NO. GM115965	DRAWN BY DJY

REV	DATE	REVISION	BY
-	12-04-20	NEW DRAWING [CT208600]	DJY



UNLESS OTHERWISE SPECIFIED - 1) DIMENSIONS ARE IN INCHES 2) TOLERANCES ARE: FRACTIONS ± .010 DECIMALS ± .030 ANGLES ± 1/2° SURFACE FINISH X ± .000 Y ± .000 Z ± .000		KOHLER. KOHLER, WI 53044 THIS DRAWING, IN DESIGN AND DETAIL, IS KOHLER CO. PROPERTY AND MUST NOT BE USED EXCEPT IN CONNECTION WITH KOHLER CO. WORK. ALL RIGHTS OF DESIGN OR INVENTION ARE RESERVED.	
APPROVALS		DATE	TITLE
DESIGN	DJY	12-04-20	DIAGRAM ELECTRICAL
CHECKED	DJY	12-04-20	100-200A RXT 3PH
APPROVED	DJY	12-04-20	
SCALE		///	SHEET 2-2
PWA. NO.		GM115965	D