

Command PRO

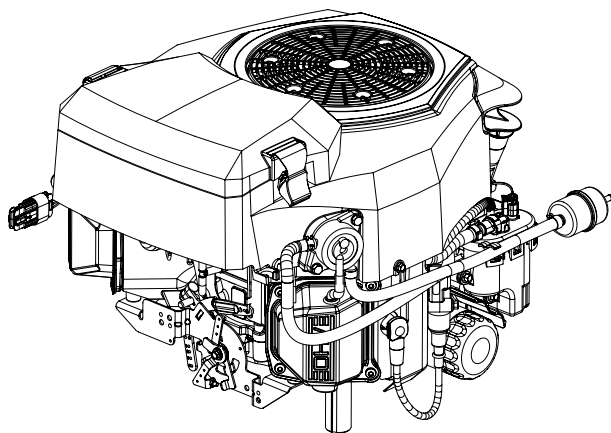
EZT715-EZT750

Owners Manual

EN

ESS

FRC



Record engine information to reference when ordering parts or obtaining warranty coverage.

Engine Model _____

Specification _____

Serial Number _____

Purchase Date _____

IMPORTANT:

Read all safety precautions and instructions carefully before operating equipment. Refer to operating instruction of equipment that this engine powers.

Ensure engine is stopped and level before performing any maintenance or service.

Warranty coverage as outlined in the warranty card and on Engines.rehlko.com. Please review carefully as it provides your specific rights and obligations.

To maintain compliance with applicable emission regulations, exhaust system backpressure may not exceed limits which can be found on Engines.rehlko.com. Search by Model No., then select Specs tab.

Rehiko Engines has published CO₂ values on Engines.rehlko.com website.

Safety Precautions

⚠ WARNING: A hazard that could result in death, serious injury, or substantial property damage.

⚠ CAUTION: A hazard that could result in minor personal injury or property damage.

NOTE: is used to notify people of important installation, operation, or maintenance information.

	⚠ WARNING
	<p>Explosive Fuel can cause fires and severe burns.</p> <p>Do not fill fuel tank while engine is hot or running.</p>


Gasoline is extremely flammable and its vapors can explode if ignited. Store gasoline only in approved containers, in well ventilated, unoccupied buildings, away from sparks or flames. Spilled fuel could ignite if it comes in contact with hot parts or sparks from ignition. Never use gasoline as a cleaning agent.

	⚠ WARNING
	<p>High Pressure Fluids can puncture skin and cause severe injury or death.</p> <p>Do not work on fuel system without proper training or safety equipment.</p>

Fluid puncture injuries are highly toxic and hazardous. If an injury occurs, seek immediate medical attention.

	⚠ WARNING
	<p>Accidental Starts can cause severe injury or death.</p> <p>Disconnect and ground spark plug lead(s) before servicing.</p>

Before working on engine or equipment, disable engine as follows: 1) Disconnect spark plug lead(s). 2) Disconnect negative (-) battery cable from battery.

	⚠ WARNING
	<p>Carbon Monoxide can cause severe nausea, fainting or death.</p> <p>Avoid inhaling exhaust fumes. Never run engine indoors or in enclosed spaces.</p>

Engine exhaust gases contain poisonous carbon monoxide. Carbon monoxide is odorless, colorless, and can cause death if inhaled.


	⚠ WARNING
	<p>Rotating Parts can cause severe injury.</p> <p>Stay away while engine is in operation.</p>

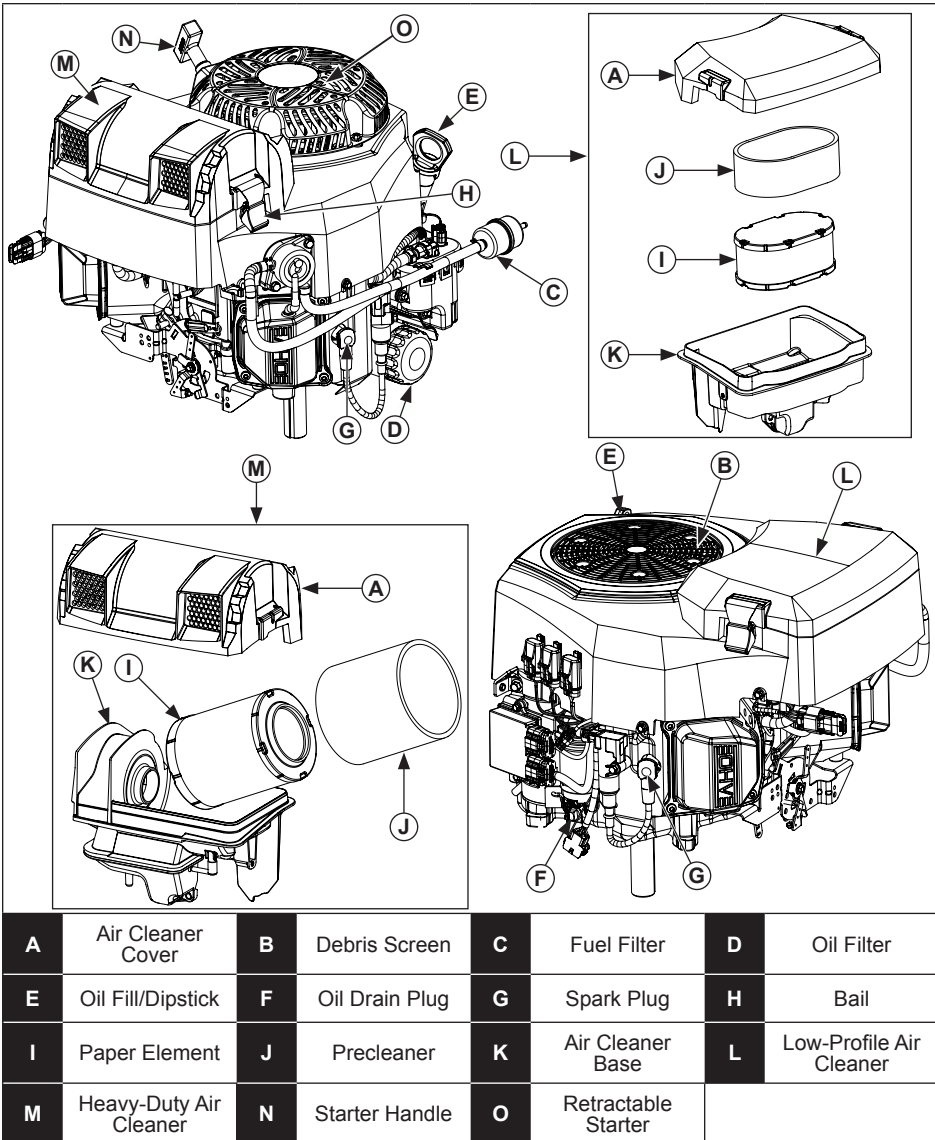
Keep hands, feet, hair, and clothing away from all moving parts to prevent injury. Never operate engine with covers, shrouds, or guards removed.

	⚠ WARNING
	<p>Hot Parts can cause severe burns.</p> <p>Do not touch engine while operating or just after stopping.</p>

Never operate engine with heat shields or guards removed.

⚠ WARNING: This product can expose you to chemicals including carbon monoxide and benzene, which are known to the State of California to cause cancer and birth defects or other reproductive harm. For more information go to www.P65Warnings.ca.gov .
--

	⚠ CAUTION
	<p>Electrical Shock can cause injury.</p> <p>Do not touch wires while engine is running.</p>





Visit Engines.rehiko.com for service parts information and purchasing options.

Pre-Start Checklist

1. Check oil level. Add oil if low. Do not overfill.
2. Check fuel level. Add fuel if low. Check fuel system components and lines for leaks.
3. Check and clean cooling areas, air intake areas and external surfaces of engine (particularly after storage).
4. Check that air cleaner components and all shrouds, equipment covers, and guards are in place and securely fastened.
5. Check spark arrestor (if equipped).

Starting

	! WARNING
	Carbon Monoxide can cause severe nausea, fainting or death. Avoid inhaling exhaust fumes. Never run engine indoors or in enclosed spaces.
Engine exhaust gases contain poisonous carbon monoxide. Carbon monoxide is odorless, colorless, and can cause death if inhaled.	

	! WARNING
	Rotating Parts can cause severe injury. Stay away while engine is in operation.
Keep hands, feet, hair, and clothing away from all moving parts to prevent injury. Never operate engine with covers, shrouds, or guards removed.	

NOTE: To prime a dry fuel system, turn key switch to ON position for one minute. Allow fuel pump to cycle and prime system. Turn key switch OFF.

NOTE: Do not crank engine continuously for more than 10 seconds. Allow a 60 second cool down period between starting attempts. Failure to follow these guidelines can burn out starter motor.

NOTE: Extend starter cord periodically to check its condition. If cord is frayed have it replaced immediately by a Rehlko authorized dealer.

NOTE: If using retractable start, slowly pull starter handle until just past compression-STOP! Return starter handle; firmly pull straight out to avoid excessive rope wear from starter rope guide.

Refer to operating instructions of equipment this engine powers for specific starting instructions.

Cold Weather Starting Hints

1. Use proper oil for temperature expected.
2. Disengage all possible external loads.
3. Use fresh winter grade fuel. Winter grade fuel has higher volatility to improve starting.

Stopping

1. If possible, remove load by disengaging all PTO driven attachments.
2. Position throttle control between half and full throttle; stop engine.



Angle of Operation

Refer to operating instructions of equipment this engine powers. Do not operate this engine exceeding maximum angle of operation; see specification table. Engine damage could result from insufficient lubrication.

Engine Speed

NOTE: Do not tamper with governor setting to increase maximum engine speed. Overspeed is hazardous and will void warranty.

Maintenance Instructions

	 WARNING	Before working on engine or equipment, disable engine as follows: 1) Disconnect spark plug lead(s). 2) Disconnect negative (-) battery cable from battery.
	Accidental Starts can cause severe injury or death. Disconnect and ground spark plug lead(s) before servicing.	

Normal maintenance, replacement or repair of emission control devices and systems may be performed by any repair establishment or individual; however, warranty repairs must be performed by a Rehlko authorized dealer found at Engines.rehlko.com or 1-800-544-2444 (U.S. and Canada).

Maintenance Schedule

Every 25 Hours¹

- Service/replace precleaner.
- Replace air cleaner element (if not equipped with precleaner).

Every 100 Hours¹

- Replace air cleaner element (if equipped with precleaner).
- Change oil and filter.
- Remove cooling shrouds and clean cooling areas.

Every 100 Hours

- Check that all fasteners are in place and components are properly secured.

Every 200 Hours¹

- Replace unique EFI fuel filter.

Every 300 Hours³

- Change oil and filter (Xtended Life PRO 10W-50 oil and Xtended Life PRO filter only).

Every 500 Hours²

- Have valve lash checked/adjusted.

Every 500 Hours

- Replace spark plugs and set gap.

¹ Perform these procedures more frequently under severe, dusty, dirty conditions.

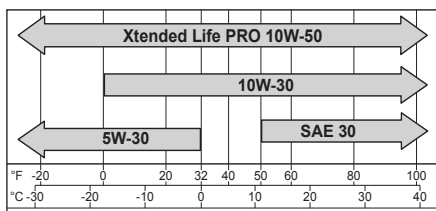
² Have a Rehlko authorized dealer perform this service.

³ Option only if using Xtended Life PRO oil and Xtended Life PRO filter.

Oil Recommendations

All-season Xtended Life PRO 10W-50 Synthetic Oil is the ideal oil for Rehlko engines. It is specifically formulated to extend the oil and oil filter change interval to 300 Hours when paired with a Xtended Life PRO Filter.

300-Hour oil and oil filter change intervals are exclusive to and only authorized on Rehlko engines that utilize both the Xtended Life PRO 10W-50 Synthetic Oil and Extended Life PRO Oil Filter. Alternative engine oils and oil filters may be used with Rehlko engines but require 100-Hour oil and oil filter change intervals for proper maintenance. Oil must be API (American Petroleum Institute) service class SJ or higher. Select viscosity based on air temperature at time of operation as shown below.



Check Oil Level

NOTE: To prevent extensive engine wear or damage, never run engine with oil level below or above operating range indicator on dipstick.

Ensure engine is cool. Clean oil fill/dipstick areas of any debris.

1. Remove dipstick; wipe oil off.
2. Reinsert dipstick into tube; press completely down.

3. Remove dipstick; check oil level. Level should be at top of indicator on dipstick.
4. If oil is low on indicator, add oil up to top of indicator mark.
5. Reinstall and secure dipstick.

Change Oil and Filter


Change oil while engine is warm.

1. Clean area around oil fill cap/dipstick. Remove drain plug and oil fill cap/dipstick. Allow oil to drain completely.
2. Clean area around oil filter. Place a container under filter to catch any oil and remove filter. Wipe off mounting surface. Reinstall drain plug. Torque to 10 ft. lb. (13.6 N·m).
3. Place new filter in shallow pan with open end up. Fill with new oil until oil reaches bottom of threads. Allow 2 minutes for oil to be absorbed by filter material.
4. Apply a thin film of clean oil to rubber gasket on new filter.
5. Refer to instructions on oil filter for proper installation.
6. Fill crankcase with new oil. Level should be at top of indicator on dipstick.
7. Reinstall oil fill cap/dipstick and tighten securely.
8. Start engine; check for oil leaks. Stop engine; correct leaks. Recheck oil level.
9. Dispose of used oil and filter in accordance with local ordinances.

Oil Sentry™ (if equipped)

This switch is designed to prevent engine from starting in a low oil or no oil condition. Oil Sentry™ may not shut down a running engine before damage occurs. In some applications this switch may activate a warning signal. Read your equipment manuals for more information.

Fuel Recommendations

	<p>WARNING</p> <p>Explosive Fuel can cause fires and severe burns.</p> <p>Do not fill fuel tank while engine is hot or running.</p>
<p>Gasoline is extremely flammable and its vapors can explode if ignited. Store gasoline only in approved containers, in well ventilated, unoccupied buildings, away from sparks or flames. Spilled fuel could ignite if it comes in contact with hot parts or sparks from ignition. Never use gasoline as a cleaning agent.</p>	

NOTE: E15, E20 and E85 are NOT approved and should NOT be used; effects of old, stale or contaminated fuel are not warrantable.


Fuel must meet these requirements:

- Clean, fresh, unleaded gasoline.
- Octane rating of 87 (R+M)/2 or higher.
- Research Octane Number (RON) 90 octane minimum.
- Gasoline up to 10% ethyl alcohol, 90% unleaded is acceptable.
- Methyl Tertiary Butyl Ether (MTBE) and unleaded gasoline blend (max 15% MTBE by volume) are approved.
- Do not add oil to gasoline.
- Do not overfill fuel tank.
- Do not use gasoline older than 30 days.

Fuel Line

High pressure fuel line meeting SAE R12 standard must be installed on Rehiko engines equipped with an EFI system.

Spark Plugs

	<p>CAUTION</p> <p>Electrical Shock can cause injury.</p> <p>Do not touch wires while engine is running.</p>
---	--

Clean out spark plug recess. Remove plug and replace.

1. Check gap using wire feeler gauge. Adjust gap, see specification table for adjustment.
2. Install plug into cylinder head.
3. Torque plug to 20 ft. lb. (27 N·m).

Jump Starting

Follow all safety guidelines and procedures provided by battery manufacturer and/or original equipment manufacturer (OEM). Failure to follow proper procedures may result in serious personal injury and/or non-warrantable damage to engine's EFI components.

Electronic Fuel Injection (EFI) System

EFI is an electronically-controlled fuel management system which is monitored by an Electronic Control Unit (ECU). A Malfunction Indicator Light (MIL) will illuminate if problems or faults are detected. Servicing by a Rehiko authorized dealer is necessary.

Fuel System Components

High pressure components inside fuel pump module are not serviceable. Engines are equipped with special EFI fuel filters. See Maintenance Schedule.

Fuse Replacement

This engine has three (3) blade type automotive fuses. Replacement fuses must have same rating as blown fuse. Use fuse chart below to determine correct fuse.

Wire Color	Fuse Rating
2 Solid Red Wires	10-amp Fuse
1 Red Wire with Black Stripe 1 Red Wire with White Stripe	10-amp Fuse
2 Purple Wires	30-amp Fuse

Air Cleaner

NOTE: Operating engine with loose or damaged air cleaner components could cause premature wear and failure. Replace all bent or damaged components.

NOTE: Paper element cannot be blown out with compressed air.

Move bails on air cleaner cover up; remove latches from cover; remove cover.

Precleaner (if equipped):

1. Remove precleaner from paper element.
2. Replace or wash precleaner in warm water with detergent. Rinse and allow to air dry.
3. Lightly oil precleaner with new engine oil; squeeze out excess oil.
4. Reinstall precleaner over paper element.

Paper Element:



1. Separate precleaner from element; service precleaner and replace paper element.
2. Install precleaner over new paper element and install on base.

Reinstall cover; place latches onto cover; pull down bails to secure cover.

Breather Tube

Ensure both ends of breather tube are properly connected.

Air Cooling

	 WARNING
	<p>Hot Parts can cause severe burns.</p> <p>Do not touch engine while operating or just after stopping.</p>
<p>Never operate engine with heat shields or guards removed.</p>	

Proper cooling is essential. To prevent over heating, clean screens, cooling fins, and other external surfaces of engine. Avoid spraying water at wiring harness or any electrical components. See Maintenance Schedule.

Repairs/Service Parts

We recommend that you use a Rehlko authorized dealer for all maintenance, service, and engine parts. To find a Rehlko authorized dealer visit Engines.rehlko.com or call 1-800-544-2444 (U.S. and Canada).

Storage

If engine will be out of service for 2 months or more follow procedure below.

1. Add PRO Series fuel treatment or equivalent to fuel tank. Run engine 2-3 minutes to get stabilized fuel into fuel system (failure due to untreated fuel are not warrantable).
2. Change oil while engine is still warm from operation (NOT required if using Xtended Life PRO 10W-50 full-synthetic oil). Remove spark plug(s) and pour about 1 oz. of engine oil into cylinder(s). Replace spark plug(s) and crank engine slowly to distribute oil.
3. Disconnect negative (-) battery cable.
4. Store engine in a clean, dry place.

Troubleshooting

Do not attempt to service or replace major engine components, or any items that require special timing or adjustment procedures. This work should be performed by a Rehlko authorized dealer.

Problem	Possible Cause								
	No Fuel	Improper Fuel	Dirt In Fuel Line	Broken Fusible Link	Dirty Debris Screen	Incorrect Oil Level	Engine Overloaded	Dirty Air Cleaner	Faulty Spark Plug
Will Not Start	•	•	•	•		•	•	•	•
Hard Starting		•	•			•	•	•	•
Stops Suddenly	•		•		•	•	•	•	•
Lacks Power		•	•		•	•	•	•	•
Operates Erratically		•	•		•		•	•	•
Knocks or Pings		•			•		•		•
Skips or Misfires		•	•		•			•	•
Backfires		•	•				•	•	•
Overheats		•	•		•	•	•	•	
High Fuel Consumption							•	•	•

Engine Specifications

Model	Bore	Stroke	Displacement	Oil Capacity (Refill)	Spark Plug Gap	Maximum Angle of Operation (@ full oil level)*
EZT715	3.27 in. (83 mm)	2.6 in. (67 mm)	44.2 cu. in. (725 cc)	2.0 U.S. qt. (1.9 L)	0.030 in. (0.76 mm)	25°
EZT725		2.7 in. (69 mm)	45.6 cu. in. (747 cc)			
EZT740						
EZT750						

*Exceeding maximum angle of operation may cause engine damage from insufficient lubrication.

Additional specification information can be found in service manual at Engines.rehlko.com.

Any and all horsepower (hp) references by Rehlko are Certified Power Ratings and per SAE J1940 & J1995 hp standards. Details on Certified Power Ratings can be found at Engines.rehlko.com.

Emission Control System

Exhaust Emission Control System for models EZT715-EZT750 is EM, O2S, ECM, MPI for U.S. EPA, California, and Europe.

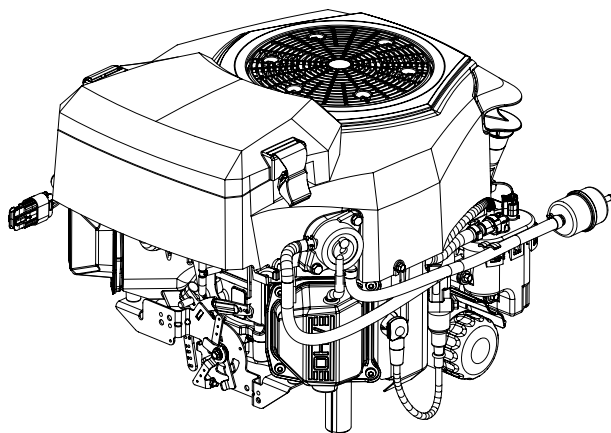
NOTE: Tampering with the engine and its emission control system voids the EPA Certificate of Conformity, ARB Executive Order, and EU type-approval.

Command PRO

EZT715-EZT750

Manual del usuario

ESS



Registre la información del motor con el fin de consultarla para realizar pedidos de piezas o para obtener la cobertura de la garantía.

Modelo de motor _____

Especificación _____

Número de serie _____

Fecha de compra _____

IMPORTANTE:

Lea atentamente todas las instrucciones y precauciones de seguridad antes de poner el equipo en funcionamiento. Consulte las instrucciones de funcionamiento del equipo impulsado por este motor.

Asegúrese de que el motor está parado y nivelado antes de realizar tareas de mantenimiento o reparación.

La cobertura de la garantía se indica en la tarjeta de la garantía y en Engines.rehlko.com. Revise detenidamente ya que le proporciona sus derechos y obligaciones específicos.


Para cumplir con las normas de emisiones aplicables, la contrapresión del sistema de escape no puede exceder los límites que se encuentran en Engines.rehlko.com. Busque por número de modelo, luego seleccione la pestaña Especificaciones.


Rehlko Engines publicó los valores de CO₂ en el sitio web Engines.rehlko.com.

Precauciones de seguridad

- ⚠ ADVERTENCIA:** Un peligro que podría provocar la muerte, lesiones graves o daños materiales considerables.
- ⚠ PRECAUCIÓN:** Un peligro que podría provocar lesiones personales o daños materiales de poca gravedad.


NOTA: Se utiliza para notificar al personal sobre información importante para la instalación, el funcionamiento o el mantenimiento.


	<p>⚠ ADVERTENCIA</p> <p>La explosión del carburante puede provocar incendios y quemaduras graves.</p> <p>No llene el tanque de combustible con el motor en funcionamiento o caliente.</p>
	<p>La gasolina es muy inflamable y sus vapores pueden hacer explosión si se inflaman. Almacene la gasolina siempre en contenedores homologados, en locales desocupados, bien ventilados y lejos de chispas o llamas. El combustible derramado podría inflamarse si entra en contacto con las piezas calientes del motor o las chispas de encendido. No utilice nunca gasolina como agente de limpieza.</p>

	<p>⚠ ADVERTENCIA</p> <p>Los fluidos de alta presión pueden atravesar la piel y provocar daños severos e incluso la muerte.</p> <p>No utilice el sistema de gasolina sin haber realizado la capacitación o sin tener el equipo de seguridad correspondiente.</p>
	<p>Las heridas por punción fluida son altamente tóxicas y peligrosas. Si se produce alguna herida, consulte a un médico de inmediato.</p>

	<p>⚠ ADVERTENCIA</p> <p>Los arranques accidentales pueden provocar lesiones graves o la muerte.</p> <p>Antes de llevar a cabo trabajos de mantenimiento o reparación, desconecte y aisle el cable de la bujía.</p>
	<p>Antes de realizar cualquier trabajo en el motor o en el equipo, desactive el motor como se indica a continuación:</p> <ol style="list-style-type: none"> 1) Desconecte los cables de las bujías. 2) Desconecte el cable del polo negativo (-) de la batería.

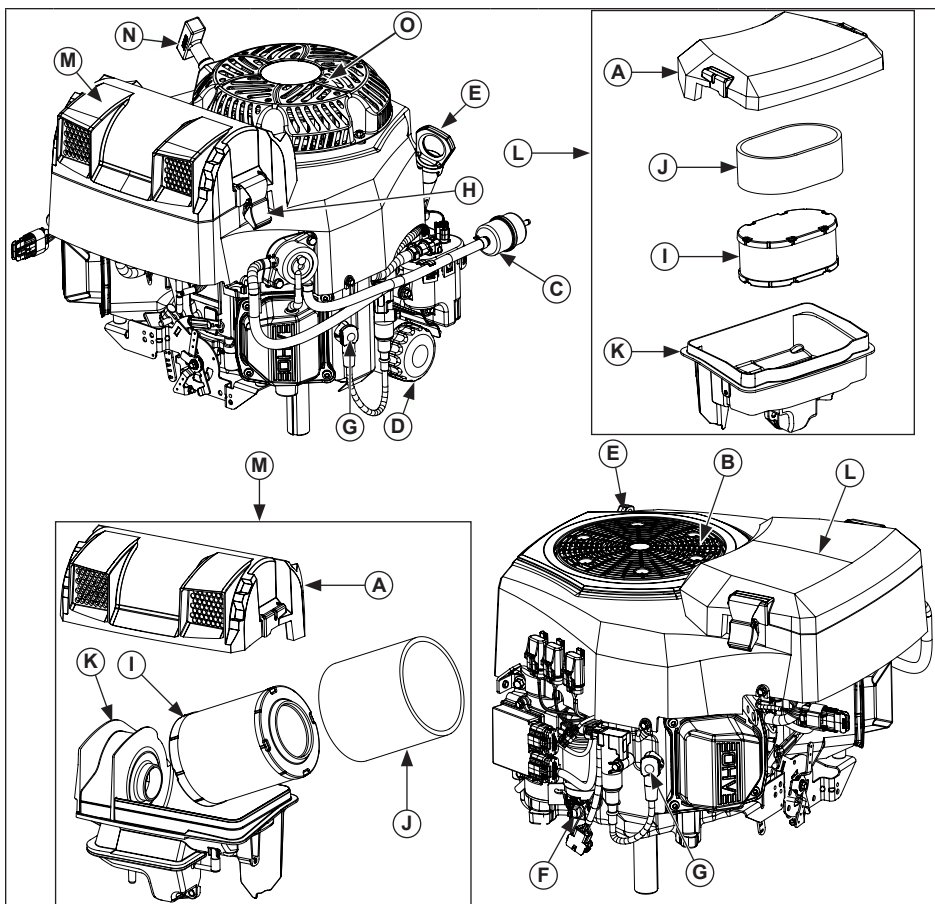
	<p>⚠ ADVERTENCIA</p> <p>El monóxido de carbono puede provocar náuseas, mareos o la muerte.</p> <p>Evite inhalar los humos de escape. Nunca ponga un motor en marcha en interiores ni espacios cerrados.</p>
	<p>Los gases de escape del motor contienen monóxido de carbono venenoso. El monóxido de carbono es inodoro, incoloro y puede causar la muerte si se inhala.</p>

	<p>⚠ ADVERTENCIA</p> <p>Las piezas rotatorias pueden causar lesiones graves.</p> <p>Manténgase alejado del motor cuando esté en funcionamiento.</p>
	<p>Para evitar lesiones, mantenga las manos, los pies, el pelo y la ropa alejados de las piezas en movimiento. No ponga nunca el motor en funcionamiento con las cubiertas, revestimientos térmicos o protecciones desmontados.</p>

	<p>⚠ ADVERTENCIA</p> <p>Las piezas calientes pueden causar quemaduras graves.</p> <p>No toque el motor durante el funcionamiento o inmediatamente después de pararse.</p>
	<p>No ponga nunca el motor en funcionamiento con las protecciones térmicas desmontadas.</p>

	<p>⚠ PRECAUCIÓN</p> <p>Las descargas eléctricas pueden provocar lesiones.</p> <p>No toque los cables con el motor en funcionamiento.</p>
--	---

<p>⚠ ADVERTENCIA: Este producto puede exponerle a químicos incluyendo el monóxido de carbono y el benceno, que son conocidos por el Estado de California como causantes de cáncer y defectos de nacimiento u otros daños reproductivos. Para mayor información, visite www.P65Warnings.ca.gov.</p>



A	Tapa del filtro de aire	B	Rejilla de residuos	C	Filtro de combustible	D	Filtro de aceite
E	Llenado de aceite/ Varilla del nivel de aceite	F	Tapón de drenaje del aceite	G	Bujía	H	Fiador
I	Filtro de papel	J	Prefiltro	K	Soporte del filtro de aire	L	Filtro de aire de perfil bajo
M	Filtro de aire de gran potencia	N	Manivela del motor de arranque	O	Motor de arranque retráctil		

Visite Engines.rehiko.com para obtener información de las piezas de servicio y las opciones de compra.

Lista de control previa al arranque

1. Comprobar el nivel de aceite. Añadir aceite si está bajo. No rellenar por encima del límite.
2. Comprobar el nivel de combustible. Añadir combustible si está bajo. Comprobar si los componentes y las tuberías del sistema de combustible presentan fugas.
3. Verificar y limpiar las zonas de refrigeración, las zonas de admisión de aire y las superficies externas del motor (especialmente después del almacenaje).
4. Verificar que los componentes del filtro de aire y todos los recubrimientos, cubiertas de equipos y protecciones están en su sitio y bien sujetas.
5. Comprobar el parachispas (si está incluido).

Arranque



ADVERTENCIA

El monóxido de carbono puede provocar náuseas, mareos o la muerte.

Evite inhalar los humos de escape. Nunca ponga un motor en marcha en interiores ni espacios cerrados.

Los gases de escape del motor contienen monóxido de carbono venenoso. El monóxido de carbono es inodoro, incoloro y puede causar la muerte si se inhala.



ADVERTENCIA

Las piezas rotatorias pueden causar lesiones graves.

Manténgase alejado del motor cuando esté en funcionamiento.

Para evitar lesiones, mantenga las manos, los pies, el pelo y la ropa alejados de las piezas en movimiento. No ponga nunca el motor en funcionamiento con las cubiertas, revestimientos térmicos o protecciones desmontados.

NOTA: Para cebar el sistema de combustible seco, gire la llave de encendido hasta la posición ON (encendido) durante un minuto. Permita que la bomba de gasolina complete un ciclo y mantenga el sistema a punto. Gire la llave de encendido hasta la posición OFF (apagado).

NOTA: No arranque de modo ininterrumpido el motor durante más de 10 segundos. Espere 60 segundos a que enfríe el motor entre los intentos de arranque. Si no se observan estas instrucciones se puede quemar el motor de arranque.

NOTA: Extienda la cuerda de arranque periódicamente para verificar su estado. Si la cuerda está deshilachada, sustitúyala de inmediato a través de un distribuidor autorizado de Rehlko.

NOTA: Si está usando un arranque retráctil, jale el mango del arrancador lentamente hasta que haya pasado ligeramente la compresión; ¡DETÉNGASE! Regrese el mango del arrancador; jale firmemente de forma recta para evitar un desgaste excesivo de la cuerda de la guía de la cuerda del arrancador.

Consulte las instrucciones de funcionamiento del equipo que impulsa este motor para instrucciones específicas de arranque.

Consejos para el arranque en tiempo frío

1. Utilice el aceite apropiado para la temperatura prevista.
2. Desconecte todas las posibles cargas externas.
3. Use combustible de grado invierno reciente. El combustible de grado invierno tiene una mayor volatilidad que mejora el arranque.

Parada


1. Si es posible, retire la carga desacoplando todos los accesorios accionados por la TDF.
2. Coloque el control del acelerador entre en la posición media o máxima de aceleración, detenga el motor.

Ángulo de funcionamiento

Consulte las instrucciones de funcionamiento del equipo impulsado por este motor. No haga funcionar el motor si supera el ángulo máximo de funcionamiento, consulte la tabla de especificaciones. El motor puede dañarse como resultado de una lubricación insuficiente.

Velocidad del motor

NOTA: No altere los ajustes del regulador para aumentar la velocidad máxima del motor. El exceso de velocidad es peligroso y anulará la garantía.

	<p>⚠ ADVERTENCIA</p> <p>Los arranques accidentales pueden provocar lesiones graves o la muerte. Antes de llevar a cabo trabajos de mantenimiento o reparación, desconecte y aisle el cable de la bujía.</p>	<p>Antes de realizar cualquier trabajo en el motor o en el equipo, desactive el motor como se indica a continuación: 1) Desconecte los cables de las bujías. 2) Desconecte el cable del polo negativo (-) de la batería.</p>
---	--	--

El mantenimiento, sustitución o reparación normales de los sistemas y dispositivos de control de emisiones pueden ser realizados por cualquier centro de reparaciones o técnico; no obstante, las reparaciones cubiertas por la garantía solo podrá realizarlas un distribuidor autorizado de Rehiko que puede encontrar en Engines.rehiko.com o llamando al 1-800-544-2444 (EE.UU. o Canadá).

Programa de mantenimiento

Cada 25 horas¹

- Realice tareas de mantenimiento o reemplazo del prefiltro.
- Reemplace el elemento del filtro de aire (si no está equipado con un prefiltro).

Cada 100 horas¹

- Reemplace el elemento del filtro de aire (si está equipado con un prefiltro).
- Cambie el aceite y el filtro.
- Quite los revestimientos térmicos y limpie las zonas de refrigeración.

Cada 100 horas

• Verifique que todos los sujetadores estén colocados y que los componentes estén correctamente fijados.

Cada 200 horas¹

- Cambie el único filtro de gasolina de la EFI.

Cada 300 horas³

- Cambie el aceite y el filtro (Solo aceite Xtended Life PRO 10W-50 y filtro Xtended Life PRO).

Cada 500 horas²

- Verifique/ajuste el juego de la válvula.

Cada 500 horas

- Cambie las bujías y ajustar la separación entre electrodos.

¹ Realice estos procedimientos con más frecuencia en condiciones de polvo y suciedad extremas.

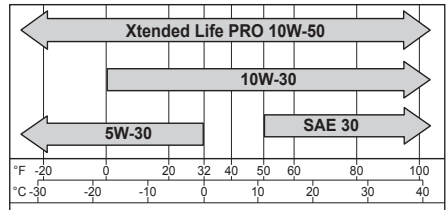
² Recorra a su distribuidor autorizado de Rehiko para que realice este servicio.

³ Es una opción solo si se está usando el aceite Xtended Life PRO y el filtro Xtended Life PRO.

Recomendaciones de lubricante

El aceite sintético Xtended Life PRO 10W-50 para todas las estaciones del año es el aceite ideal para los motores Rehiko. Está específicamente formulado para extender el intervalo de cambio de aceite y filtro de aceite a 300 horas cuando se usa junto con un Filtro de aceite de Xtended Life PRO.

Los intervalos de cambio de aceite y filtro de aceite cada 300 horas son exclusivos para los motores Rehiko y solo se autorizan en estos motores que utilizan ambos productos, el aceite sintético Xtended Life PRO 10W-50 y el filtro de aceite de Xtended Life PRO. Se pueden usar aceites de motor y filtros de aceite alternativos con los motores Rehiko, pero esto requiere intervalos de cambio de aceite y filtro de aceite cada 100 horas para el mantenimiento correcto. El aceite debe ser de clase de servicio SJ o superior de acuerdo con API (American Petroleum Institute, Instituto estadounidense del petróleo). Seleccione la viscosidad en función de la temperatura del aire al momento del funcionamiento como se indica a continuación.



Comprobación del nivel de aceite

NOTA: Para evitar las averías y el desgaste excesivo del motor, nunca ponga el motor en funcionamiento con un nivel de aceite inferior o superior al indicador de nivel de funcionamiento de la varilla.

Asegúrese de que el motor esté frío. Limpie los residuos de las áreas de la varilla de nivel/llenado de aceite.

1. Extraiga la varilla de nivel; limpie el exceso de aceite.

2. Introduzca de nuevo la varilla de nivel en el tubo y presione completamente hacia abajo.
3. Saque la varilla y compruebe el nivel de aceite. El nivel debe situarse en la parte superior de la varilla de nivel.
4. Si el indicador muestra poco nivel de aceite, añada aceite hasta la parte superior de la marca del indicador.
5. Instale de nuevo y fije la varilla de nivel.

Cambio del aceite y el filtro


Cambie el aceite con el motor caliente.

1. Limpie el área alrededor del tapón de llenado/la varilla del nivel de aceite. Quite el tapón de drenaje y el tapón de llenado/varilla de nivel. Deje que el aceite drene completamente.
2. Limpie el área que rodea el filtro. Coloque un envase debajo del filtro para recoger el aceite y extraiga el filtro. Limpie la superficie de montaje. Vuelva a colocar el tapón de drenaje. Apriete a 10 ft lb (13,6 N·m).
3. Coloque un filtro nuevo con el extremo abierto hacia arriba en una bandeja. Vierta aceite nuevo hasta que alcance la parte inferior de los tornillos. Espere 2 minutos hasta que el material del filtro absorba el aceite.
4. Aplique una película fina de aceite limpio a la junta de goma del nuevo filtro.
5. Consulte las instrucciones sobre el filtro del aceite para una instalación correcta.
6. Llene el cárter con aceite nuevo. El nivel debe situarse en la parte superior de la varilla de nivel.
7. Vuelva a colocar el tapón de llenado con varilla y apriete firmemente.
8. Arranque el motor y compruebe si hay fugas de aceite. Detenga el motor y repare las fugas. Compruebe de nuevo el nivel de aceite.
9. Deseche el aceite usado y el filtro en conformidad con las normativas locales.

Oil Sentry™ (si está incluido)

Este interruptor está diseñado para evitar que el motor arranque con poco aceite o ninguno. El Oil Sentry™ no puede apagar un motor en marcha antes de que se produzca un daño. En algunas aplicaciones este interruptor puede activar una señal de aviso. Lea los manuales de su equipo para más información.

Recomendaciones de combustible

	<p>⚠ ADVERTENCIA</p> <p>La explosión del carburante puede provocar incendios y quemaduras graves.</p> <p>No llene el tanque de combustible con el motor en funcionamiento o caliente.</p>
--	--

La gasolina es muy inflamable y sus vapores pueden hacer explosión si se inflaman. Almacene la gasolina siempre en contenedores homologados, en locales desocupados, bien ventilados y lejos de chispas o llamas. El combustible derramado podría inflamarse si entra en contacto con las piezas calientes del motor o las chispas de encendido. No utilice nunca gasolina como agente de limpieza.

NOTA: E15, E20 y E85 are NO están autorizados y NO deben utilizarse; la garantía no cubre los efectos producidos por el uso de combustible antiguo, pasado o contaminado.


El combustible debe cumplir con los siguientes requisitos:

- Gasolina limpia, fresca y sin plomo.
- Octanaje de 87 (R+M)/2 o superior.
- El "Research Octane Number" (RON), deberá ser de 90 octanos como mínimo.
- Se autoriza el empleo de gasolina de hasta un volumen máximo del 10% de alcohol etílico y el 90% sin plomo.
- Se autorizan las mezclas de metil-ter-butil-éter (MTBE) y gasolina sin plomo (hasta un máximo del 15% de MTBE en volumen).
- No añada aceite a la gasolina.
- No llene el tanque de combustible por encima del límite.
- No utilice gasolina con más de 30 días de antigüedad.

Tubería de combustible

La línea de gasolina de alta presión que cumple con el estándar SAE R12 debe instalarse en los motores Rehiko equipados con el sistema EFI.

Bujías

	<p>⚠ PRECAUCIÓN</p> <p>Las descargas eléctricas pueden provocar lesiones.</p> <p>No toque los cables con el motor en funcionamiento.</p>
---	---

Limpie el rebaje de la bujía. Extraiga la bujía y sustitúyala.

1. Compruebe la separación de electrodos con una galga de espesores. Para ajustar la separación, consulte la tabla de especificaciones de ajuste.
2. Coloque la bujía en el cabezal del cilindro.
3. Apriete la bujía a 27 N·m (20 ft. lb.).

Realizar un puente para arrancar el motor

Siga todas las instrucciones y procedimientos de seguridad que brinda el fabricante de la batería y/o el fabricante del equipo original (OEM, por sus siglas en inglés). Si no sigue los procedimientos

que corresponden podría sufrir heridas graves y/o podría dañar los componentes de inyección electrónica de gasolina (EFI, por sus siglas en inglés) del motor, sin posibilidad de utilizar la garantía.

Sistema de inyección electrónica de gasolina (EFI)

EFI es un sistema de administración de gasolina controlado electrónicamente que se controla con la unidad de control electrónico (ECU). Si se detecta un problema o una falla, se iluminará la luz indicadora de mal funcionamiento (MIL, por sus siglas en inglés). Es necesario que un distribuidor autorizado de Rehlko realice el mantenimiento.

Componentes del sistema de combustible

No se les puede realizar mantenimiento a los componentes de alta presión en el módulo de la bomba de gasolina. Los motores están equipados con filtros de gasolina EFI especiales. Consulte el Programa de mantenimiento.

Reemplazo de los tapones

Este motor tiene tres (3) tapones automotrices de tipo hoja. Los tapones de reemplazo deben tener la misma clasificación que el tapón saltado. Utilice la siguiente tabla de tapones para determinar cuál es el tapón que corresponde utilizar.

Color de los cables	Calificación de los tapones
2 cables rojos sólidos	Tapón de 10 amperios
1 cable rojo con una raya negra 1 cable rojo con una raya blanca	Tapón de 10 amperios
2 cables color violeta	Tapón de 30 amperios

Filtro de aire

NOTA: El funcionamiento del motor con componentes del filtro de aire sueltos o dañados puede causar daños y desgaste prematuro. Sustituya todos los componentes doblados o dañados.

NOTA: El papel filtrante no puede expulsarse con aire comprimido.

Mueva los ganchos en la cubierta del filtro de aire hacia arriba; retire los pestillos de la cubierta y retire la cubierta.

Prefiltro (si está equipado):

1. Extraiga el prefiltro del papel filtrante.
2. Sustituya o lave el prefiltro con agua templada y detergente. Aclárelo y déjelo secar al aire.
3. Aceite ligeramente el prefiltro con un nuevo aceite de motor; escurra el exceso de aceite.
4. Vuelva a colocar el prefiltro sobre el papel filtrante.

Elemento de papel:

1. Separe el prefiltro del elemento filtrante, limpie el prefiltro y sustituya el elemento filtrante.
2. Instale el prefiltro sobre el nuevo elemento de papel e instélo sobre la base.



ESS

Vuelva a instalar la cubierta; coloque los pestillos en la cubierta; jale los ganchos hacia abajo para asegurar la cubierta.

Tubo del respirador

Asegúrese de que ambos extremos del respiradero están conectados adecuadamente.

Refrigeración por aire

	 ADVERTENCIA
	<p>Las piezas calientes pueden causar quemaduras graves.</p> <p>No toque el motor durante el funcionamiento o inmediatamente después de pararse.</p>
<p>No ponga nunca el motor en funcionamiento con las protecciones térmicas desmontadas.</p>	

Es esencial una refrigeración adecuada. Para evitar el sobrecalentamiento, limpie los filtros, los álabes de refrigeración y demás superficies externas del motor. Evite rociar agua al haz de cables o a cualquier componente eléctrico. Consulte el Programa de mantenimiento.

Reparaciones/Piezas de recambio

Recomendamos que utilice un distribuidor autorizado de Rehlko para el mantenimiento, la reparación y las piezas del motor. Para localizar a un distribuidor autorizado de Rehlko, visite Engines.rehlko.com o llame al 1-800-544-2444 (EE. UU. y Canadá).

Almacenamiento

Si el motor no se pone en funcionamiento durante 2 meses o más siga el procedimiento siguiente.

1. Añada el tratamiento de combustible PRO Series o equivalente al depósito de combustible. Haga funcionar el motor de 2 a 3 minutos para colocar el combustible estabilizado dentro del sistema de combustible (las fallas ocasionadas por la falta de tratamiento del combustible no están cubiertas por la garantía).
2. Cambie el aceite con el motor aún caliente (NO se requiere si se está usando el aceite completamente sintético Xtended Life PRO 10W-50). Extraiga la bujía y vierta aproximadamente 28 g (1 oz) de aceite de motor en el cilindro. Sustituya la bujía y arranque el motor lentamente para distribuir el aceite.
3. Desconecte el cable de la batería de borne negativo (-).
4. Almacene el motor en un lugar limpio y seco.

Localización de averías

No intente reparar o cambiar componentes principales del motor o cualquier elemento que requiera unos procedimientos de ajuste o sincronización especiales. Este trabajo debe ser realizado por un distribuidor autorizado de Rehlko.

Problema	Causa posible								
	Sin combustible	Combustible inadecuado	Suciedad en la tubería de combustible	Conexión fusible rota	Rejilla con residuos	Nivel de aceite incorrecto	Motor sobrecargado	Filtro de aire sucio	Bujía defectuosa
No arranca	•	•	•	•		•	•	•	•
Arranque con dificultad		•	•			•	•	•	•
Se para de repente	•		•		•	•	•	•	•
Le falta potencia		•	•		•	•	•	•	•
Funciona erráticamente		•	•		•		•	•	•
Golpes o sonidos metálicos		•			•		•		•
Salto o fallos de encendido		•	•		•			•	•
Detonaciones		•	•				•	•	•
Se recalienta		•	•		•	•	•	•	
Consumo de combustible elevado							•	•	•

Especificaciones del motor

Modelo	Orificio	Carrera	Desplazamiento	Capacidad de aceite (rellenado)	Abertura de bujía	Ángulo de funcionamiento máximo (con nivel máximo de aceite)*
EZT715	3,27 in (83 mm)	2,6 in (67 mm)	44,2 pulgadas cúbicas (725 cc)	2,0 cuartos de galón estadounidenses (1,9 L)	0,030 in (0,76 mm)	25°
EZT725		2,7 in (69 mm)	45,6 pulgadas cúbicas (747 cc)			
EZT740						
EZT750						

*Exceder el ángulo de funcionamiento máximo puede producir averías en el motor debido a una lubricación insuficiente.

Puede encontrar información adicional sobre las especificaciones en el manual de servicio en Engines.rehlko.com.

Todas las referencias de caballos (cv) de Rehlko se ciñen a la Clasificación de potencia certificada y a las normas SAE 1940 y J1995 en materia de caballos. Encontrará información detallada sobre la Clasificación de potencia certificada en Engines.rehlko.com.

Sistema de control de emisiones

El Sistema de control de emisiones de escape para los modelos EZT715-EZT750 es EM, O2S, ECM, MPI para la EPA de EE.UU., California, y Europa.

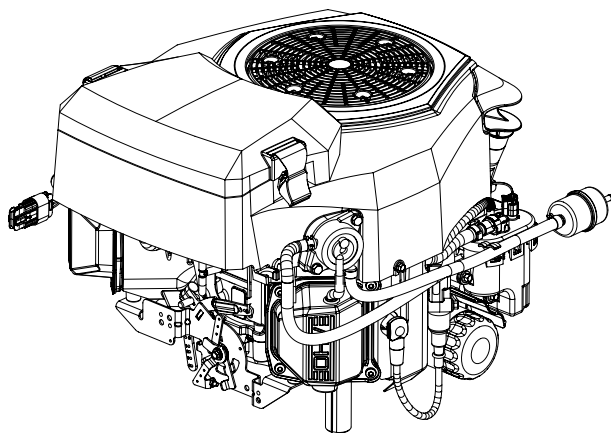
NOTA: La alteración del motor y su sistema de control de emisiones anula el Certificado de Conformidad de la EPA, la Orden Ejecutiva ARB y la aprobación de tipo UE.

Command PRO

EZT715-EZT750

Manuel de l'utilisateur

FRC



Enregistrez les informations concernant le moteur pour référence lors de la commande de pièces ou de demande de couverture de garantie.

Modèle de moteur _____

Spécifications _____

Numéro de série _____

Date d'achat _____

IMPORTANT :

Lisez toutes les consignes et précautions de sécurité avant d'utiliser le matériel. Veuillez vous reporter aux consignes d'utilisation de l'équipement alimenté par ce moteur.

Le moteur doit être arrêté et de niveau avant d'exécuter tout travail de maintenance ou d'entretien.

La garantie s'applique selon les conditions stipulées dans la fiche de garantie et sur le site Engines.rehlko.com. Veuillez lire cette garantie attentivement car elle définit vos droits et obligations spécifiques.

Afin de respecter les réglementations en vigueur sur les valeurs limites d'émission, la contre-pression du système d'échappement ne peut dépasser les limites stipulées sur le site Engines.rehlko.com. Saisissez le numéro de modèle dans la barre de recherche puis sélectionnez l'onglet 'Specs'.


Rehlko Engines publie les valeurs CO2 de ses moteurs sur le site Engines.rehlko.com.

Consignes de sécurité


⚠ AVERTISSEMENT : Un danger pouvant entraîner la mort, de graves blessures ou des dommages matériels.

⚠ ATTENTION : Un danger pouvant entraîner des blessures légères ou des dommages matériels.



REMARQUE : Cette mention est utilisée pour attirer l'attention sur des détails importants concernant l'installation, l'utilisation ou l'entretien.

	⚠ AVERTISSEMENT
	<p>Carburant explosif pouvant causer des incendies et des brûlures graves.</p> <p>N'ajoutez pas de carburant si le moteur est chaud ou s'il tourne.</p>


L'essence est très inflammable et ses vapeurs peuvent exploser si elles sont enflammées. Entrez l'essence dans des récipients approuvés et dans des bâtiments non occupés, à l'abri des étincelles ou des flammes. Des éclaboussures de carburant peuvent s'enflammer au contact de pièces chaudes ou d'étincelles provenant de l'allumage. N'utilisez jamais d'essence comme agent nettoyant.

	⚠ AVERTISSEMENT
	<p>Les liquides à haute pression peuvent attaquer la peau et causer des blessures graves voire mortelles.</p> <p>Ne travaillez pas sur un circuit d'alimentation si vous n'avez pas la formation appropriée ou l'équipement qui convient.</p>

Les blessures provoquées par le liquide sont hautement toxiques et dangereuses. En cas de blessure, consultez immédiatement un médecin.

  	⚠ AVERTISSEMENT
	<p>Des démarrages accidentels peuvent causer des blessures graves voire mortelles.</p> <p>Débranchez le(s) câble(s) de bougie et mettez-le(s) à la masse avant l'entretien.</p>


Arrêtez le moteur avant d'effectuer des travaux de réparation et d'entretien du moteur ou de l'équipement en suivant les consignes ci-dessous : 1) Débranchez le(s) câble(s) de bougie. 2) Débranchez le câble négatif (-) de batterie de la batterie.

	⚠ AVERTISSEMENT
	<p>Les pièces tournantes peuvent causer de graves blessures.</p> <p>Tenez-vous éloigné du moteur pendant qu'il fonctionne.</p>

Tenez vos mains, pieds, cheveux et vêtements à l'écart de toutes les pièces mobiles pour prévenir les blessures. Ne faites jamais fonctionner le moteur si des couvercles, des enveloppes ou des protections ont été enlevés.

	⚠ AVERTISSEMENT
	<p>L'oxyde de carbone peut causer des nausées graves, des évanouissements ou même la mort.</p> <p>Évitez d'aspirer des gaz d'échappement. Ne jamais faire fonctionner le moteur à l'intérieur ou dans des espaces clos.</p>

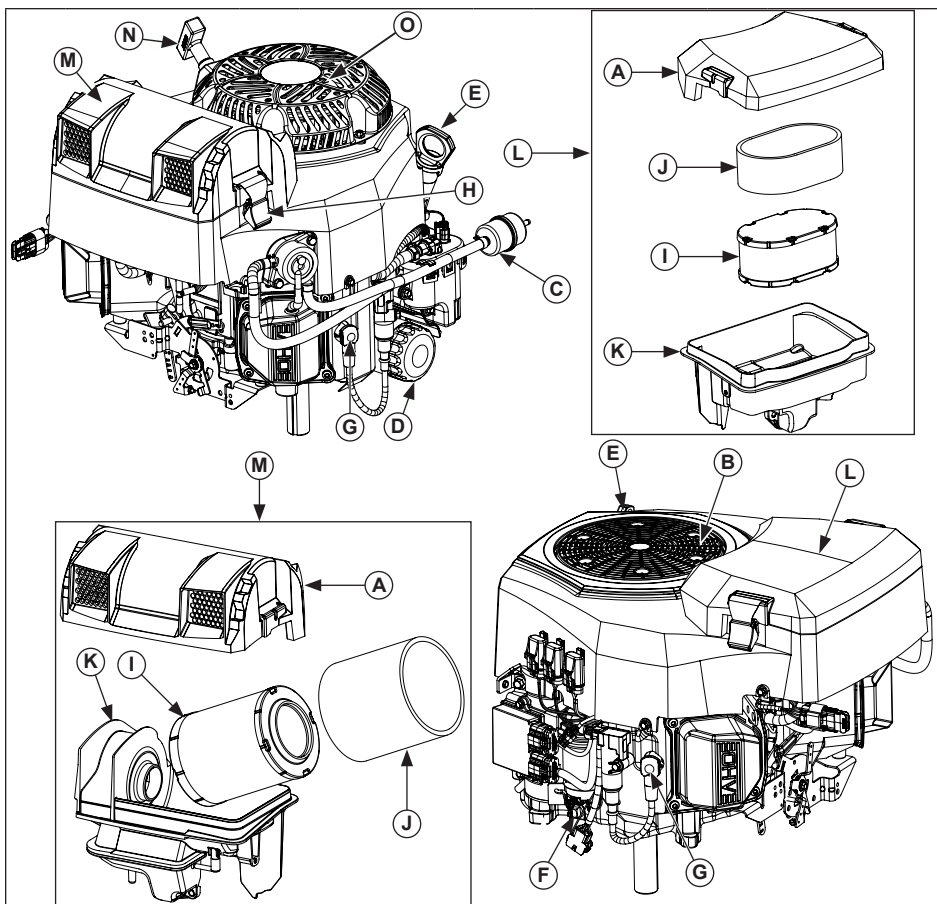
Les gaz d'échappement du moteur contiennent du monoxyde de carbone toxique. Le monoxyde de carbone est inodore, incolore et son inhalation peut causer la mort.

	⚠ AVERTISSEMENT
	<p>Les pièces chaudes peuvent causer de graves brûlures.</p> <p>Ne touchez pas au moteur pendant qu'il tourne ou si vous venez tout juste de l'arrêter.</p>

Ne faites jamais fonctionner le moteur si des écrans thermiques ou des protections ont été enlevés.

	⚠ ATTENTION
	<p>Les chocs électriques peuvent causer des blessures.</p> <p>Ne touchez pas aux fils pendant que le moteur tourne.</p>

⚠ AVERTISSEMENT : Ce produit peut vous exposer à des agents chimiques, y compris le monoxyde de carbone et le benzène, identifiés par l'État de Californie comme pouvant causer le cancer et des malformations congénitales ou autres troubles de l'appareil reproducteur. Pour de plus amples informations, prière de consulter www.P65Warnings.ca.gov.




A	Couvercle du filtre à air	B	Grille à débris	C	Filtre à carburant	D	Filtre à huile
E	Bouchon de remplissage d'huile/jauge	F	Bouchon de vidange d'huile	G	Bougie	H	Crochet
I	Élément papier	J	Préfiltre	K	Base du filtre à air	L	Filtre bas
M	Filtre à air haute capacité	N	Poignée de démarrage	O	Démarrreur rétractable		

Visite Engines.rehko.com pour des informations sur les pièces de service les options d'achat.

Liste de vérification à utiliser avant le démarrage

1. Vérifiez le niveau d'huile. Ajoutez de l'huile si le niveau est bas. Ne remplissez pas trop le réservoir.
2. Vérifiez le niveau de carburant. Ajoutez du carburant si le niveau est bas. Recherchez la présence de fuites sur les conduites et les composants du système d'alimentation en carburant.
3. Vérifiez et nettoyez les zones de refroidissement, les zones d'admission d'air et les surfaces externes du moteur (surtout après rangement).
4. Assurez-vous que le filtre à air et toutes les enveloppes, tous les couvercles d'équipement et toutes les protections sont en place et bien fixés.
5. Vérifiez le pare-étincelles (le cas échéant).

Démarrage

	⚠ AVERTISSEMENT
	L'oxyde de carbone peut causer des nausées graves, des évanouissements ou même la mort. Évitez d'aspirer des gaz d'échappement. Ne jamais faire fonctionner le moteur à l'intérieur ou dans des espaces clos.
Les gaz d'échappement du moteur contiennent du monoxyde de carbone toxique. Le monoxyde de carbone est inodore, incolore et son inhalation peut causer la mort.	

	⚠ AVERTISSEMENT
	Les pièces tournantes peuvent causer de graves blessures. Tenez-vous éloigné du moteur pendant qu'il fonctionne.
Tenez vos mains, pieds, cheveux et vêtements à l'écart de toutes les pièces mobiles pour prévenir les blessures. Ne faites jamais fonctionner le moteur si des couvercles, des enveloppes ou des protections ont été enlevés.	

REMARQUE : Pour lancer un système de carburant à sec, mettez le contact pendant une minute. Laissez la pompe de carburant effectuer un cycle et lancez le système. Coupez le contact.

REMARQUE : Ne lancez pas le moteur pendant plus de 10 secondes à la fois. Laissez refroidir sur une période de 60 secondes entre chaque tentative de démarrage. Le non-respect de ces consignes peut endommager le moteur du démarreur.

REMARQUE : Sortez régulièrement la corde de démarrage pour contrôler son état. Si elle est effilochée, elle doit être remplacée immédiatement par un concessionnaire agréé Rehlko.

REMARQUE : Avec un démarreur rétractable, tirez lentement sur la poignée du démarreur en dépassant légèrement le point de compression – ARRÊT ! Ramenez la poignée du démarreur. Tirez fermement en ligne droite pour éviter d'user prématurément la corde sur le guide du démarreur.

Veuillez vous reporter aux consignes d'utilisation du matériel alimenté par ce moteur.

Conseils de démarrage par temps froid

1. Utilisez l'huile correspondant aux températures d'air prévues.
2. Éliminez toutes les charges externes.
3. Utilisez du carburant neuf destiné à une utilisation hivernale. L'essence d'hiver possède une volatilité supérieure qui facilite le démarrage.

Arrêt

1. Si cela est possible, retirez la charge en débranchant tous les accessoires entraînés par la prise de mouvement.
2. Positionnez la commande de l'accélérateur entre le demi-régime et le plein régime; arrêtez ensuite le moteur.


Angle de fonctionnement

Veuillez vous reporter aux consignes d'utilisation du matériel alimenté par ce moteur. Ne poussez pas ce moteur au maximum de ses limites. Voir le tableau des spécifications. Le moteur pourrait être endommagé en raison d'une lubrification insuffisante.

Régime du moteur

REMARQUE : Ne modifiez pas le limiteur de vitesse pour augmenter le régime maximal du moteur. La survitesse est dangereuse et annule la garantie.

Consignes d'entretien

	<p>⚠ AVERTISSEMENT</p> <p>Des démarrages accidentels peuvent causer des blessures graves voire mortelles. Débranchez le(s) câble(s) de bougie et mettez-le(s) à la masse avant l'entretien.</p>	<p>Arrêtez le moteur avant d'effectuer des travaux de réparation et d'entretien du moteur ou de l'équipement en suivant les consignes ci-dessous :</p> <ol style="list-style-type: none"> 1) Débranchez le(s) câble(s) de bougie. 2) Débranchez le câble négatif (-) de batterie de la batterie.
---	--	--

FRC

Une maintenance normale ainsi qu'un remplacement ou une réparation des dispositifs et systèmes antipollution peuvent être effectués par n'importe quels établissements ou mécaniciens; mais les réparations sous garantie doivent être effectuées par un concessionnaire agréé Rehiko que vous pouvez trouver sur le site Engines.rehiko.com ou en téléphonant au 1-800-544-2444 (États-Unis et Canada).

Programme d'entretien

Toutes les 25 heures¹

- Faites l'entretien/remplacez le préfiltre.
- Remplacez l'élément du filtre à air (si le préfiltre n'existe pas).

Toutes les 100 heures¹

- Remplacez l'élément du filtre à air (si le préfiltre existe).
- Remplacez le filtre et l'huile.
- Déposez les enveloppes du système de refroidissement et nettoyez les zones de refroidissement.

Toutes les 100 heures

- Assurez-vous que toutes les attaches et composants sont correctement fixés.

Toutes les 200 heures¹

- Remplacez le filtre à carburant EFI.

Toutes les 300 heures³

- Remplacez le filtre et l'huile (Huile Xtended Life PRO 10W-50 et filtre Xtended Life PRO uniquement).

Toutes les 500 heures²

- Faites vérifier/régler le jeu des soupapes.

Toutes les 500 heures

- Remplacez la bougie et réglez l'écartement.

¹ Effectuez ces procédures plus fréquemment en cas d'utilisation dans un environnement poussiéreux et sale.

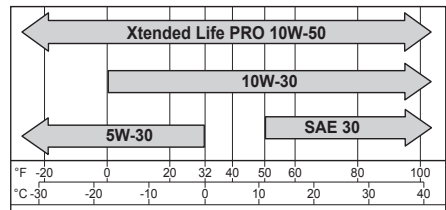
² Confiez ces travaux d'entretien à un concessionnaire agréé Rehiko.

³ Option uniquement si l'huile Xtended Life PRO et le filtre Xtended Life sont utilisés.

Recommandations relatives à l'huile

L'huile synthétique toutes saisons Xtended Life PRO 10W-50 est l'huile idéale pour les moteurs Rehiko. Elle a été spécifiquement élaborée pour garantir un intervalle de 300 heures entre chaque vidange d'huile lorsqu'elle est accompagnée du filtre à Xtended Life PRO.

Les intervalles de 300 heures entre chaque vidange d'huile et chaque changement de filtre à huile sont exclusifs et uniquement autorisés sur les moteurs Rehiko qui utilisent aussi bien l'huile synthétique Xtended Life PRO 10W-50 que le filtre à Xtended Life PRO. Les huiles de moteur alternatives et les filtres à huile peuvent être utilisés dans les moteurs Rehiko, mais il faut vidanger l'huile toutes les 100 heures et changer le filtre à huile pour être entretenus correctement. L'huile doit être de classe SJ de l'API (American Petroleum Institute) ou supérieure. Choisissez la viscosité en fonction de la température ambiante au moment de l'utilisation, comme indiqué ci-dessous.



Contrôle du niveau d'huile

REMARQUE : Ne faites jamais tourner le moteur si le niveau d'huile est trop haut ou trop bas, ceci afin d'éviter toute usure ou endommagement du moteur.

Le moteur doit être froid. Nettoyez toutes traces de débris sur les zones du bouchon de remplissage/jauge.

1. Dévissez la jauge, essuyez-la.

2. Réinsérez la jauge dans le tube en l'enfonçant complètement.
3. Enlevez la jauge et vérifiez le niveau d'huile. Le niveau doit être en haut sur la jauge.
4. Si le niveau d'huile est bas, ajoutez de l'huile jusqu'au repère supérieur.
5. Réinstallez et serrez la jauge.

Remplacement du filtre et de l'huile


Changez l'huile pendant que le moteur est encore chaud.

1. Nettoyez la surface autour du bouchon de remplissage d'huile et de la jauge. Retirez le bouchon de vidange et le bouchon de remplissage/la jauge. Évacuez entièrement l'huile.
2. Nettoyez la surface autour du filtre à huile. Placez un récipient sous le filtre pour récupérer l'huile et retirez le filtre. Nettoyez la surface de montage. Réinstallez le bouchon de vidange. Serrez au couple de 13,6 N.m (10 pi-lb).
3. Placez un nouveau filtre dans un bac étroit avec l'extrémité ouverte vers le haut. Remplissez avec de l'huile neuve jusqu'à ce qu'elle atteigne le bas des filets. Attendez 2 minutes le temps que l'huile soit absorbée par le filtre.
4. Appliquez une mince pellicule d'huile propre sur le joint de caoutchouc du nouveau filtre.
5. Suivez les instructions relatives au filtre à huile pour une installation correcte.
6. Remplissez le carter avec de l'huile neuve. Le niveau doit être en haut sur la jauge.
7. Remettez en place le bouchon/la jauge et serrez fermement.
8. Faites démarrer le moteur et vérifiez l'absence de fuites d'huile. Coupez le moteur et rectifiez le problème de fuite. Vérifiez de nouveau le niveau d'huile.
9. Mettez au rebut l'huile et le filtre usés en respectant les réglementations locales.

Oil Sentry™ (le cas échéant)

Ce commutateur est conçu pour éviter au moteur de démarrer s'il n'y a pas d'huile ou si le niveau est bas. Le pressostat Oil Sentry™ peut ne pas couper le moteur avant que les dommages ne se produisent. Sur certaines applications, ce commutateur peut activer un signal d'avertissement. Consultez les manuels du matériel pour plus de détails.

Recommandations relatives au carburant

	<p>⚠ AVERTISSEMENT</p> <p>Carburant explosif pouvant causer des incendies et des brûlures graves.</p> <p>N'ajoutez pas de carburant si le moteur est chaud ou s'il tourne.</p>
--	---

L'essence est très inflammable et ses vapeurs peuvent exploser si elles sont enflammées. Entrepozez l'essence dans des récipients approuvés et dans des bâtiments non occupés, à l'abri des étincelles ou des flammes. Des éclaboussures de carburant peuvent s'enflammer au contact de pièces chaudes ou d'étincelles provenant de l'allumage. N'utilisez jamais d'essence comme agent nettoyant.

REMARQUE : E15, E20 et E85 NE sont PAS compatibles et NE doivent PAS être utilisés. Du carburant trop vieux, périmé ou contaminé peuvent provoqués des dommages non couverts par la garantie.


Le carburant doit correspondre à ces exigences :

- Propre, neuf, sans plomb.
- Indice d'octane de 87 (R+M)/2 ou plus.
- Méthode RON (Research Octane Number), indice minimum d'octane de 90.
- L'essence contenant jusqu'à 10 % d'alcool éthylique, 90 % d'essence sans plomb est compatible.
- Les mélanges de méthyl tertiaire butyl éther (MTBE) et d'essence sans plomb (jusqu'à un maximum de 15 % de MTBE par volume) sont homologués.
- N'ajoutez pas d'huile dans l'essence.
- Ne remplissez pas trop le réservoir de carburant.
- N'utilisez pas l'essence si elle a plus de 30 jours.

Canalisation de carburant

La conduite de carburant haute pression SAE R12 standard doit être installée sur les moteurs Rehiko équipés d'un système EFI.

Bougies

	<p>⚠ ATTENTION</p> <p>Les chocs électriques peuvent causer des blessures.</p> <p>Ne touchez pas aux fils pendant que le moteur tourne.</p>
---	---

Nettoyez les puits de bougie. Retirez la bougie et la remplacer.

1. Vérifiez l'écartement à l'aide d'une jauge d'épaisseur. Pour ajuster l'écartement, voir le tableau des spécifications.
2. Installez la bougie sur la culasse.
3. Serrez au couple de 27 N·m (20 pi. lb).

Démarrage avec câbles d'appoint

Suivez toutes les consignes de sécurité et les procédures données par le fabricant de batterie et/ou le fabricant du matériel d'origine (OEM). En ne respectant pas les procédures correctes, vous

vous exposez à des risques de blessures et/ou des dommages sur les composants de l'injection électronique du moteur (EFI).

Injection électronique

L'EFI est un système de gestion de carburant électronique qui est contrôlé par un microprocesseur (ECU). Un témoin d'anomalie (MIL) s'allume quand des problèmes ou des anomalies sont détectées. L'entretien par un concessionnaire agréé est nécessaire.

Composants du système de carburant

Les composants haute pression dans le module de pompe à carburant ne sont pas réparables. Les moteurs sont équipés d'un filtre à carburant spécial EFI. Voir Programme d'entretien.

Remplacement de fusible

Ce moteur est doté de trois (3) fusibles automobiles à lames. Les fusibles de remplacement ont la même valeur nominale que le fusible grillé. Utilisez le tableau ci-dessous pour déterminer le fusible approprié.

Couleur du câble	Valeur nominale du fusible
2 fils - rouge	Fusible 10 A
1 fil - rouge + rayure noire 1 fil - rouge + rayure blanche	Fusible 10 A
2 câbles - violet	Fusible 30 A

Filtre

REMARQUE : L'utilisation du moteur avec des éléments du filtre à air détachés ou endommagés risque de provoquer une usure prématurée et des défaillances du moteur. Remplacez tous les composants tordus ou endommagés.

REMARQUE : L'élément papier ne peut pas être nettoyé à l'air comprimé.

Abaissez les crochets sur le couvercle du filtre à air. Retirez les attaches du couvercle. Retirez le couvercle.

Préfiltre (si disponible) :

1. Séparez le préfiltre de l'élément papier.
2. Remplacez ou lavez le préfiltre dans de l'eau tiède savonneuse. Rincez, puis laissez sécher à l'air.
3. Graissez légèrement le préfiltre d'huile moteur neuve. Éliminez l'excès d'huile.
4. Réinstallez le préfiltre sur l'élément papier.

Élément en papier :

1. Séparez le préfiltre de l'élément; faites un entretien du préfiltre et remplacez l'élément papier.



2. Installez le préfiltre sur le nouvel élément papier et sur la base.

Réinstallez le couvercle. Placez les attaches sur le couvercle. Tirez la crochets pour fixer le couvercle.

Tube du reniflard

Vérifiez la connexion des deux extrémités du tube de reniflard.

Système de refroidissement par air

	 AVERTISSEMENT
	Les pièces chaudes peuvent causer de graves brûlures. Ne touchez pas au moteur pendant qu'il tourne ou si vous venez tout juste de l'arrêter.
Ne faites jamais fonctionner le moteur si des écrans thermiques ou des protections ont été enlevés.	

Il est essentiel d'avoir un système de refroidissement. Pour éviter une surchauffe, nettoyez les crépines, les ailettes de refroidissement et autres surfaces externes du moteur. Évitez de vaporiser de l'eau sur le faisceau de câblage ou sur un composant électrique. Voir Programme d'entretien.

Réparations/Pièces détachées

Nous vous recommandons d'utiliser les services d'un concessionnaire Rehlko agréé pour tous les travaux de maintenance et d'entretien, ainsi que pour les pièces de rechange du moteur. Pour trouver un concessionnaire autorisé Rehlko, consultez le site Engines.rehlko.com ou appelez le 1-800-544-2444 (États-Unis et Canada).

Entreposage

Si vous ne prévoyez pas d'utiliser le moteur pendant deux mois ou plus, suivez les procédures d'entreposage suivantes :

1. Ajoutez un produit de traitement du carburant PRO Series ou similaire dans le réservoir de carburant. Faites tourner le moteur 2 à 3 minutes pour stabiliser le carburant dans le circuit (les anomalies liées à du carburant non traité ne sont pas garanties).
2. Changez l'huile pendant que le moteur est encore chaud (NON nécessaire si l'huile entièrement synthétique Xtended Life PRO 10W-50 est utilisée). Retirez la ou les bougies et versez environ 1 oz d'huile moteur dans le ou les cylindres. Retirez la ou les bougies et lancez le moteur lentement pour distribuer l'huile.
3. Déconnectez le câble négatif (-) de la batterie.
4. Entreposez le moteur dans un endroit propre et sec.

Recherche de pannes

N'essayez pas de faire l'entretien ou de réparer les principaux composants du moteur, ou tout élément qui requiert un calage ou des procédures de réglage spéciaux. Ce travail doit être réalisé par un concessionnaire agréé Rehlko.

Problème	Causes possibles								
	Absence de carburant	Carburant inadéquat	Impuretés dans la canalisation de carburant	Élément fusible cassé	Grille à débris sale	Niveau d'huile incorrect	Surcharge du moteur	Filtre à air sale	Bougies défectueuses
Ne démarre pas	•	•	•	•		•	•	•	•
Démarrage difficile		•	•			•	•	•	•
Cesse subitement de fonctionner	•		•		•	•	•	•	•
Manque de puissance		•	•		•	•	•	•	•
Fonctionne de manière erratique		•	•		•		•	•	•
Cogne ou produit des détonations		•			•		•		•
S'étouffe momentanément ou a des ratés		•	•		•			•	•
Produit des retours de flammes		•	•				•	•	•
Surchauffe		•	•		•	•	•	•	•
Consommation trop élevée							•	•	•

Spécifications du moteur

Modèle	Alésage	Course	Cylindrée	Capacité d'huile (remplissage)	Écartement	Angle d'opération maximal (à plein niveau d'huile)*
EZT715	83 mm (3,27 po)	67 mm (2,6 po)	44,2 cu. po (725 cm ³)	2,0 pinte américaine (1,9 L)	0,76 mm (0,030 po)	25°
EZT725						
EZT740		69 mm (2,7 po)	45,6 cu. po (747 cm ³)			
EZT750						

*Un angle de fonctionnement trop important peut causer des dommages du moteur liés à un manque de lubrification.

Plus de détails concernant les spécifications sont donnés dans le manuel d'entretien sur le site Engines.rehlo.com.

Toutes les références de puissance (cv) de Rehlko sont des valeurs nominales certifiées et correspondent aux normes de puissance SAE J1940 & J1995. Les détails concernant les valeurs nominales de puissance certifiées sont donnés sur le site Engines.rehlo.com.

Système de contrôle des émissions

Le système antipollution de l'échappement pour le modèle EZT715-EZT750 est EM, O2S, ECM, MPI pour États-Unis, EPA, Californie et Europe.

REMARQUE : Toute altération du moteur ou de son système de contrôle des émissions annule la validité du certificat de conformité délivré par l'EPA, l'ordonnance exécutive de la CRÉF et l'homologation par type de l'UE.