

# rehlko



Kohler Engines  
is now Rehlko

## Command PRO<sup>®</sup>

Gasoline Engines

**7.75 to 11 Ft-Lbs**

The Command PRO<sup>®</sup> engine saves gas and reduces downtime, giving you the power to cut costs and cover more ground every day.



# Imagine the *ultimate* commercial engine. Now open your eyes.

When your crew's out for a job, they need power they can count on—no matter the conditions. Enter Command PRO® 173 to 224-cc walk-behind engines. The ultimate in durability with best-in-class power\* to cover more ground quicker than ever before.



FULL-PRESSURE LUBRICATION WITH CLEAN-CHANGE™ OIL FILTER FOR EASY, NO-MESS OIL CHANGES

FULLY SEALED, FOUR-STAGE CYCLONIC QUAD-CLEAN™ AIR FILTER PROTECTS ENGINE FROM DIRT AND DEBRIS



CONSISTENT-CUT™ TECHNOLOGY FOR HIGHER ENGINE SPEED IN TOUGH GRASS FOR A CLEANER TURF CUT

BEST-IN-CLASS POWER\*



CLEAN-CHANGE™ TECHNOLOGY – ALLOWS FOR EASY OIL CHANGES WITHOUT THE MESS

\*Class defined as EPA Class I gasoline engines 225 cc or below.

# Command PRO®

CV224, CV200, CV173

## Standard features

Cast-iron cylinder bore

Die-cast valve cover with reusable rubber gasket

Full-pressure lubrication with spin-on oil filter

Steel oil pump

Clean-change™ oil pan

Stamped-steel engine cover

Stamped-steel recoil assembly

Easy-pull™ starting

1.4l accu-fill™ (Easy-fill) fuel tank

High-mount oil dipstick

Engine-mounted controls

Quad-clean™ four stage, cyclonic air filter

Die-cast intake manifold

Rear pull zone start

Zone start crankshaft  
25 mm x 79.175 mm x 4.75 mm x  
7/16-20

In-line fuel filter

Front discharge muffler with guard

EPA-compliant

CARB-compliant

EU Stage V-compliant

Three-year commercial warranty

## Popular factory options

BBC-compatible crankshaft 7/8" x 61.415 mm x 4.75 mm keyway, threaded od

Side pull (3 o'clock) recoil assembly

Side discharge muffler

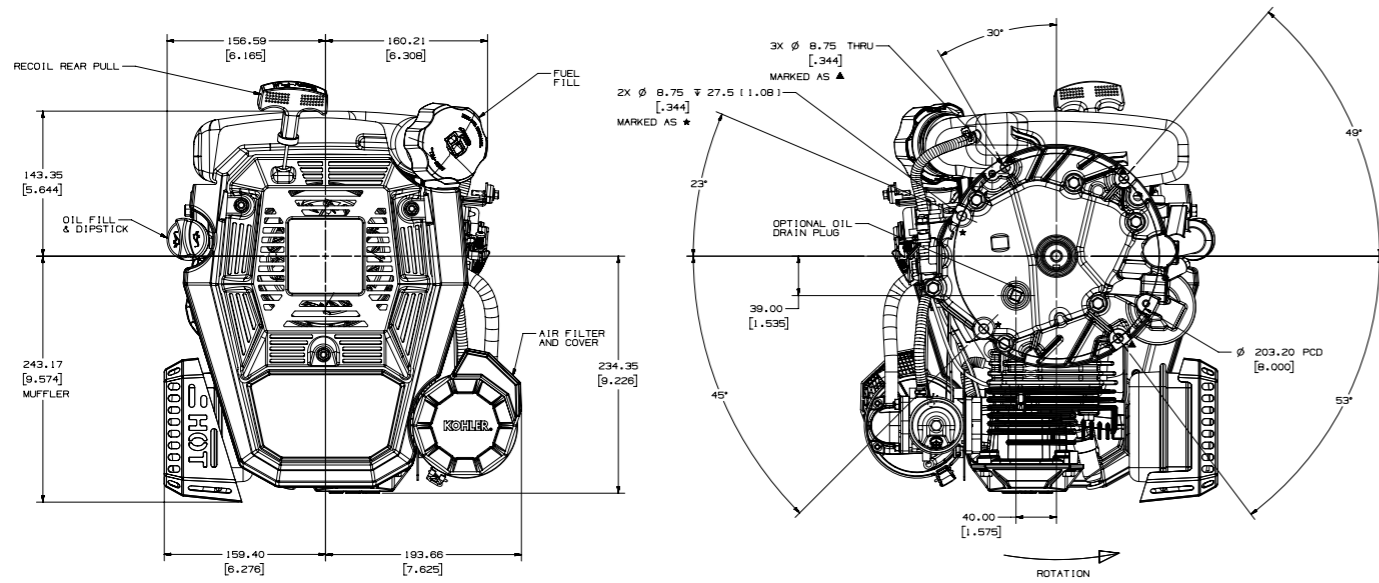
Variable speed  
1800-3500 rpm



# Command PRO®

7.75 to 11 Ft-Lbs Vertical-Shaft Engines

Heavy-Duty Air Cleaner

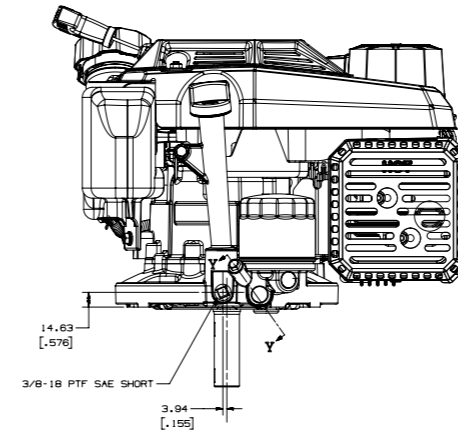


Top view

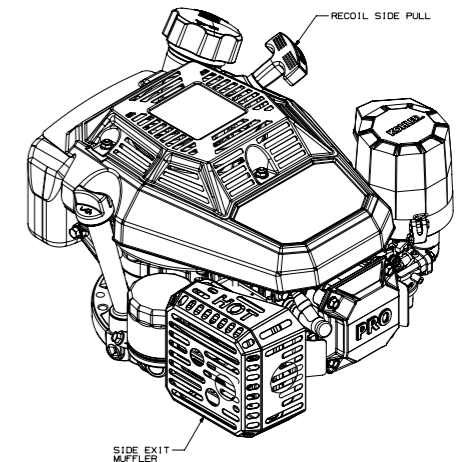
PTO view

## Data

Dimensions  
(mm)



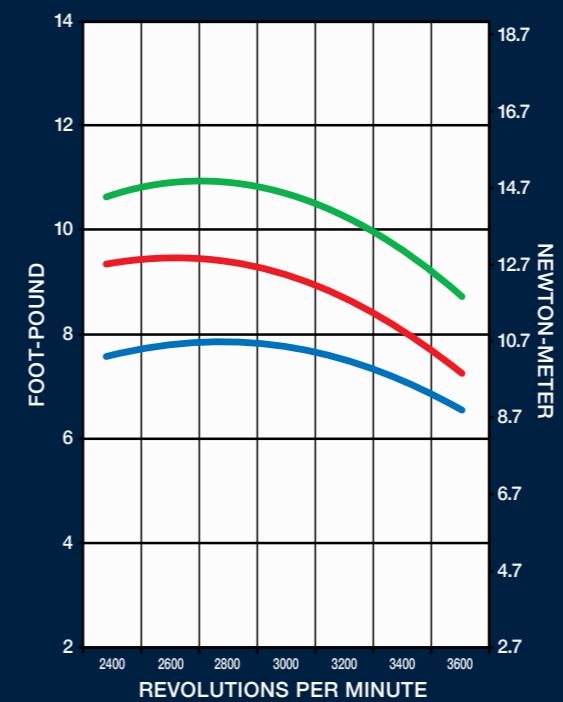
Muffler view



Isometric view

MODEL		CV173	CV200	CV224
<b>POWER @ 2600 rpm</b>	ft-lb (Nm)	7.75 (10.5)	9.50 (12.9)	11.0 (14.9)
<b>DISPLACEMENT</b>	cu in (cc)	10.6 (173)	12.2 (200)	13.7 (224)
<b>BORE</b>	in (mm)	2.8 (70)	2.9 (73)	2.9 (73)
<b>STROKE</b>	in (mm)	1.8 (45)	1.9 (48)	2.1 (53.5)
<b>COMPRESSION RATIO</b>		8.0:1	8.9:1	9.2:1
<b>DRY WEIGHT</b>	lb (kg)	36.2 (16.4)	37.0 (16.8)	
<b>OIL CAPACITY</b>	U.S. qt (L)	0.63 (0.6)		
<b>LUBRICATION</b>		DUAL-PRESSURE LUBRICATION WITH FULL-FLOW FILTER AND SPLASH		
<b>DIMENSIONS L x W x H</b>	in (mm)	15.7 x 13.9 x 11.1 (399 x 353 x 281)		

## Maximum torque



- CV173
- CV200
- CV224



For more information, contact your Rehko source of supply.  
Discovery Energy, LLC reserves the right to make modifications without prior notice.

[engines.rehko.com](https://engines.rehko.com)

Printed in Italy    ED0035585810    Rev.02 09/24 EN    Discovery Energy, LLC